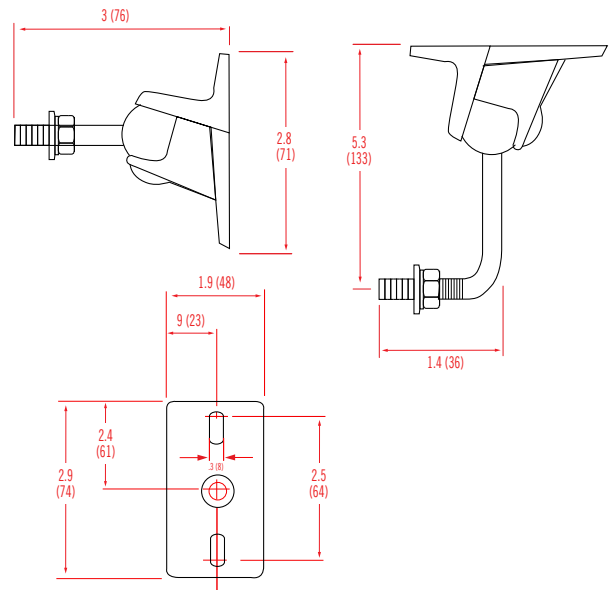


# 10.0 W/C technical data sheet



OmniMount, an innovator of A/V mounts and furniture for more than a quarter century, is the choice of professional installers and the brand most recommended by flat panel manufacturers. The Stainless Steel Series is our patented top-of-the-line speaker mounting solution which combines quality, durability and ease-of-installation. The 10.0 W/C is the proven choice for mounting bookshelf speakers up to 10 lbs (4.5 kg) on a wall or ceiling.



## Product Specifications

- Fits most:** Bookshelf speakers
- Supports up to:** 10 lbs (4.5 kg)
- Thread size:** 1/4" - 20
- Base rotation:** 360°
- Pan:** 180°
- Tilt:** +/-30°
- Color:** Black, White and Grey

## Product Benefits

- Polymer-injected ball controls resonance frequencies for better sound
- Ball and clamp design for greater mounting flexibility
- Includes clamp and jaw
- Stainless steel hardware for strength and durability
- Suitable for all-weather use
- Includes complete hardware kit

	Color	Stock Code	Packaging UPC	MC UPC
<b>Americas</b>	Black	1001078BKFE-1	728901007071	728901700552
<b>International</b>	Black	1001071BK-EU	728901013034	728901706110
<b>Americas</b>	Grey	1001819-1	728901024139	728901717581
<b>International</b>	Grey	1001819EU	728901013058	728901706134
<b>Americas</b>	White	1001071WT-RS	728901007781	728901701054
<b>International</b>	White	1001071WTFE-1	728901007781	728901701054

	Dimensions WxDxH inches (mm)	Wt lbs (kg)
<b>Product Box</b>	2.2 x 7.5 x 9.3 (55x191x236)	.7 (.3)
<b>Master Carton</b>	8.7 x 7.5 x 11.5 (222x191x292)	(2.3)

Box Contents	Qty
Clamp assembly	1
Ceiling ball shaft	1
Wall ball shaft	1
Polymer ball	1

Box Contents	Qty
Mounting plate	1
Complete installation hardware kit	1
Instruction Manual	1