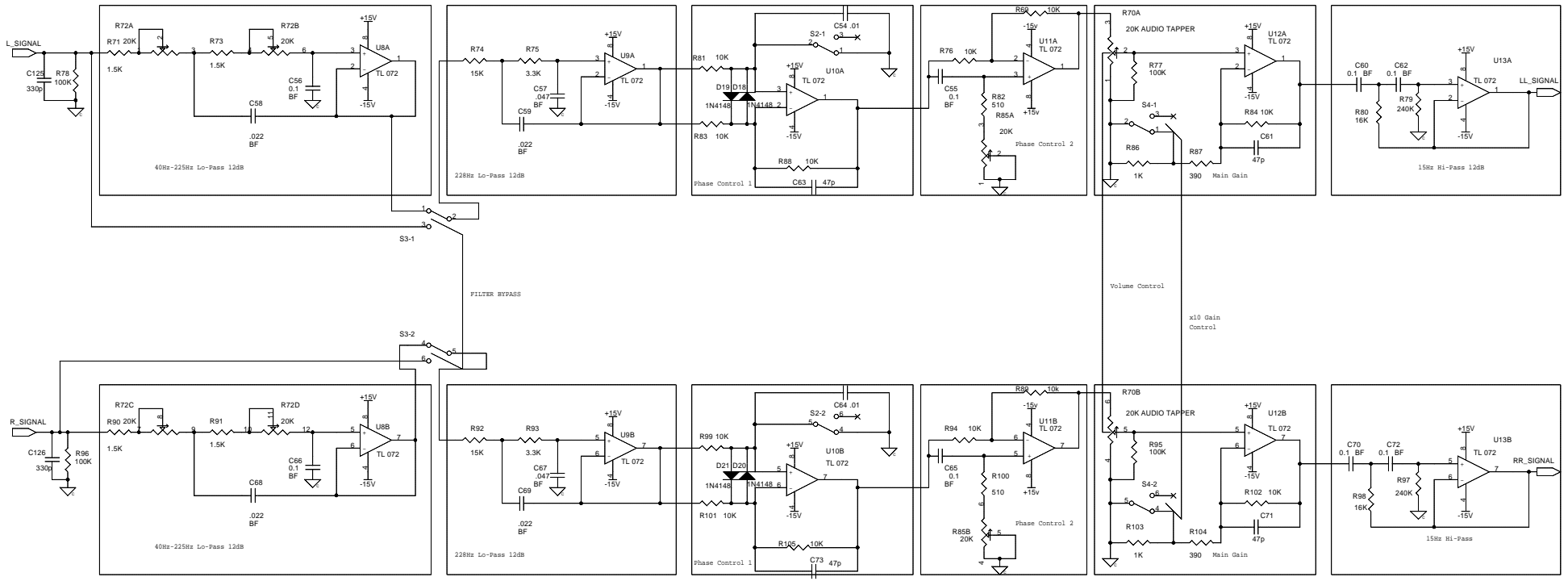
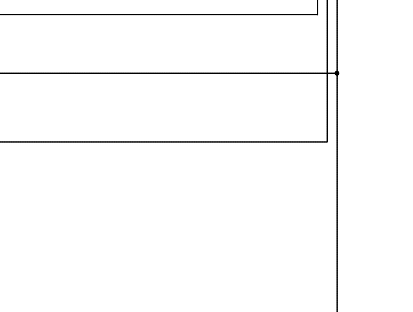
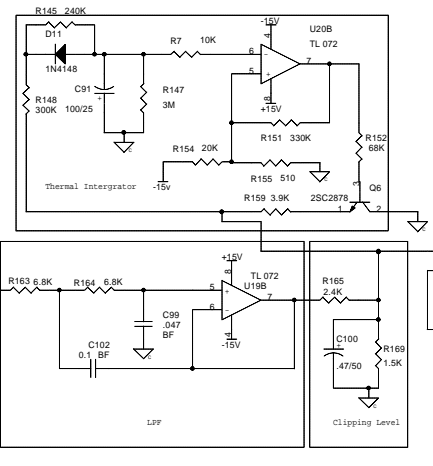
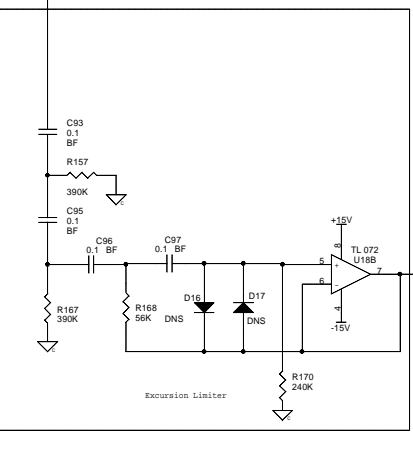
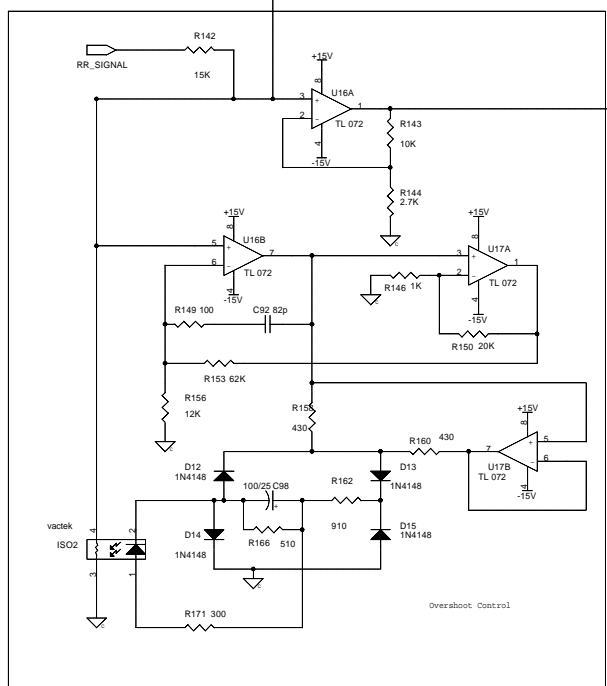
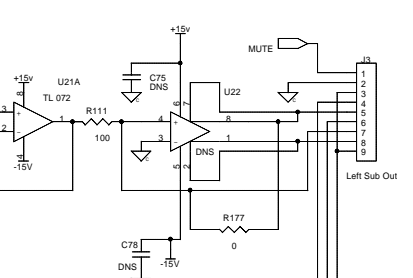
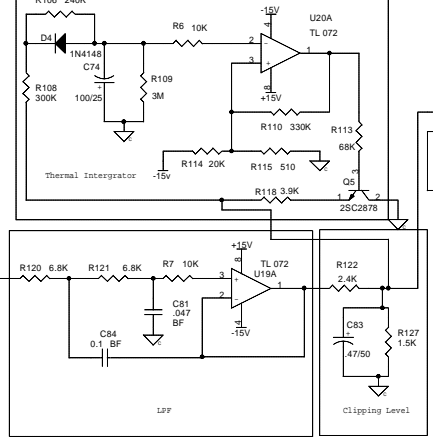
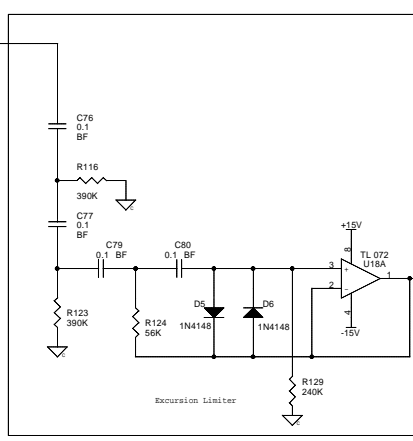
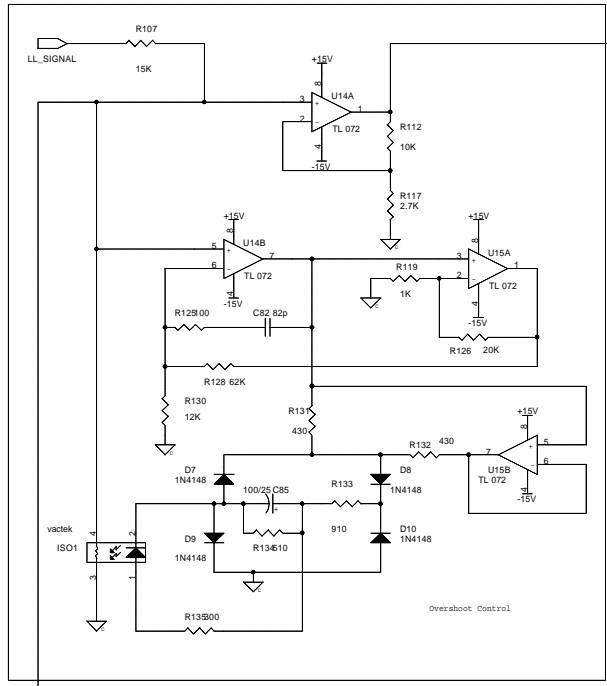


Title	NHT SUB 2 Processor		
Size	Document Number	Rev	
C	ePCB0045	C	
Date:	Tuesday, October 26, 1999	Sheet	1 of 3



File	NHT SUB 2 Processor	
Size	Document Number	Rev
C	ePCB0045	C
Date:	Tuesday, October 19, 1999	Sheet 2 of 3



Title		
NHT SUB 2 Processor		
Size	Document Number	Rev
C	ePCB0045	C
Date:	Tuesday, October 26, 1999	Sheet 3 of 3