

REVISION RECORD	
LT#	DESCRIPTION
1	PROJ. RELEASE
2	VALUE CHANGE
3	CHANGED SCA. BY
4	ADDED DIMENSION CHNG.
5	CHG. LTR. IN/OUT ORIGIN
6	ADDED CTRY

REV.	DATE	BY
1	4/27/88	APV
2	5/8/88	
3	6/9/88	
4	11/17/88	
5	11/17/88	
6	4/11/00	
7	9/1/00	

(-) DELTA V OUT

(-) DELTA V OUT

(-) DELTA V OUT

(-) DELTA V OUT

(-) DELTA V OUT

(-) DELTA V OUT

(-) DELTA V OUT

(-) DELTA V OUT

(-) DELTA V OUT

(-) DELTA V OUT

(-) DELTA V OUT

(-) DELTA V OUT

(-) DELTA V OUT

(-) DELTA V OUT

(-) DELTA V OUT

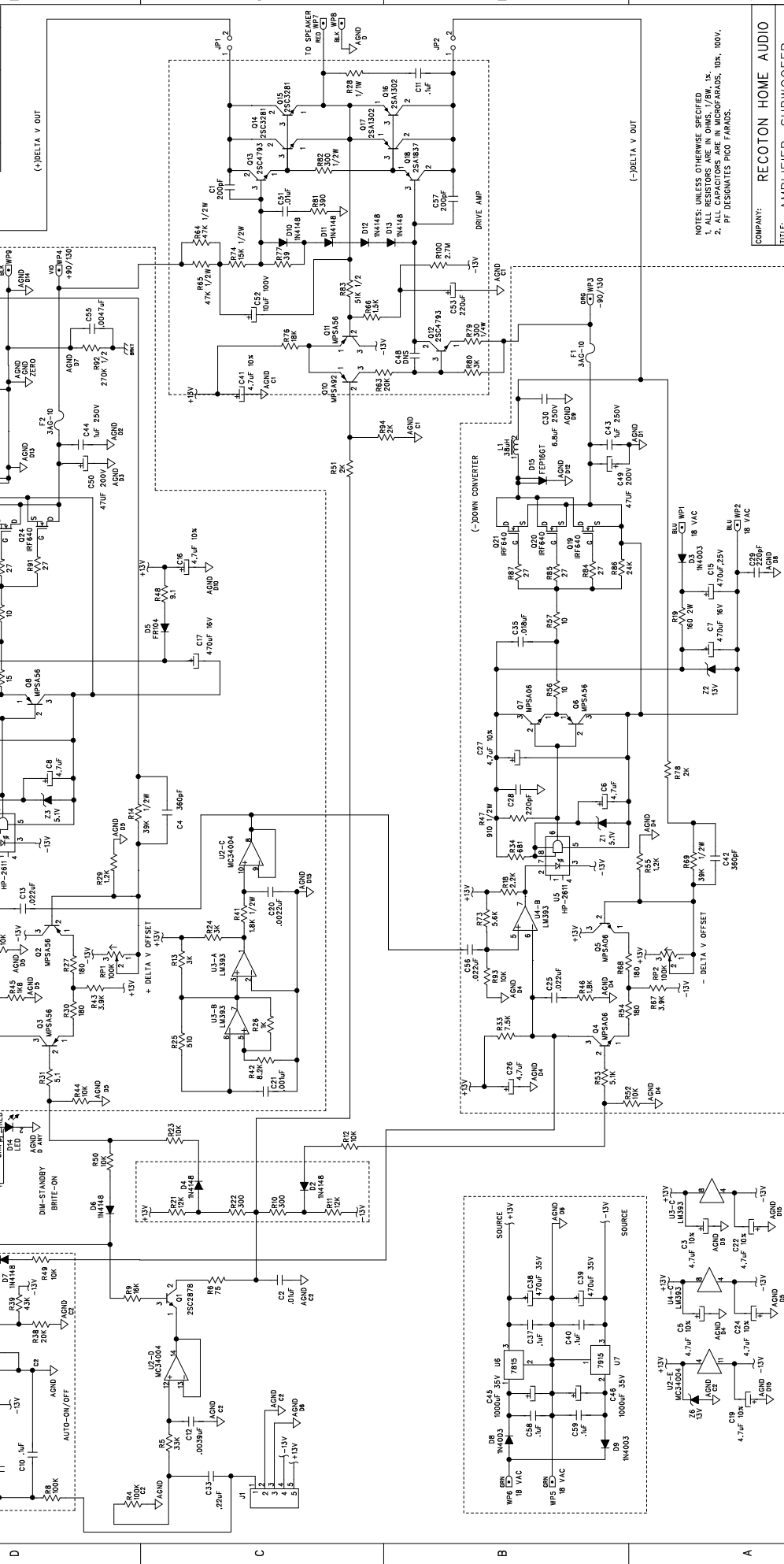
(-) DELTA V OUT

(-) DELTA V OUT

(-) DELTA V OUT

(-) DELTA V OUT

(-) DELTA V OUT



NOTES: UNLESS OTHERWISE SPECIFIED:
 1. ALL DIMENSIONS ARE IN MILLIMETERS.
 2. ALL CAPACITORS ARE IN MICROFARADS, 10K, 100V.
 3. PF DESIGNATES PICO FARADS.

COMPANY: RECOTON HOME AUDIO
 TITLE: AMPLIFIER, SUBWOOFER
 250/500

DATE:	BY:

DATE:	BY:

DATE:	BY:

DATE:	BY:

DATE:	BY:

DATE:	BY:

DATE:	BY:

DATE:	BY:

DATE:	BY:

DATE:	BY:

DATE:	BY:

DRAWN: MURPHY
 CHECKED: MURPHY
 QUALITY CONTROL: MURPHY
 RELEASED: MURPHY

SCALE: NONE

REVISION RECORD

DATE: 4/27/88 BY: APV

DATE: 5/8/88

DATE: 11/17/88

DATE: 4/11/00

SCALE: NONE

SCALE: NONE

SCALE: NONE

SCALE: NONE

SCALE: NONE

SCALE: NONE

SCALE: NONE