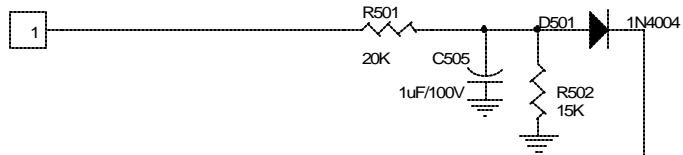
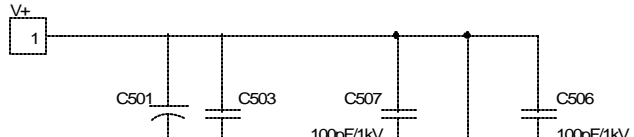


LEFT POWER SUPPLY

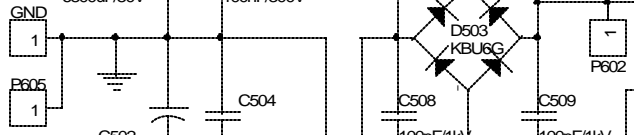
To Left Power Amp Relay Protector



To Left Power Amp



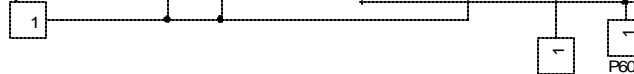
To Left Power Amp



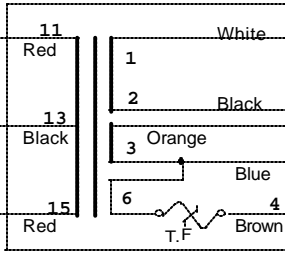
To Ground Stud



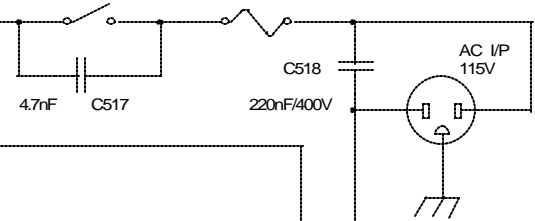
To Left Power Amp



Transformer 29-2001A

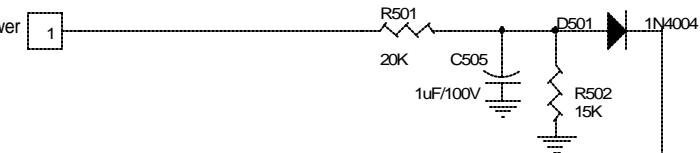


POWER SW F1 250V/5A

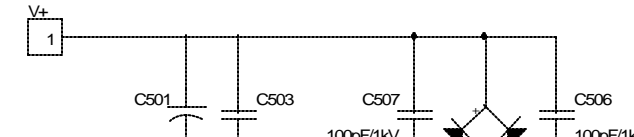


RIGHT POWER SUPPLY

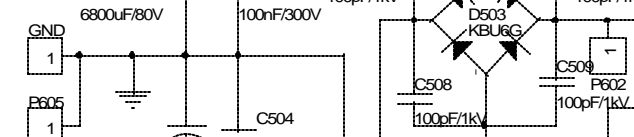
To Right Power Amp Relay Protector



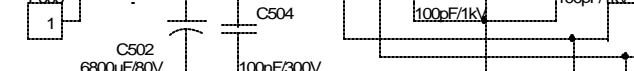
To Right Power Amp



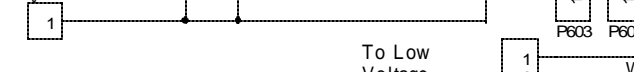
To Right Power Amp



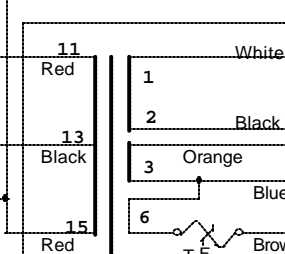
To Ground Stud



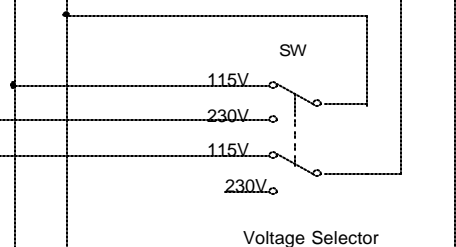
To Right Power Amp



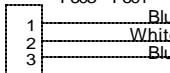
Transformer 29-2001B



Voltage Selector



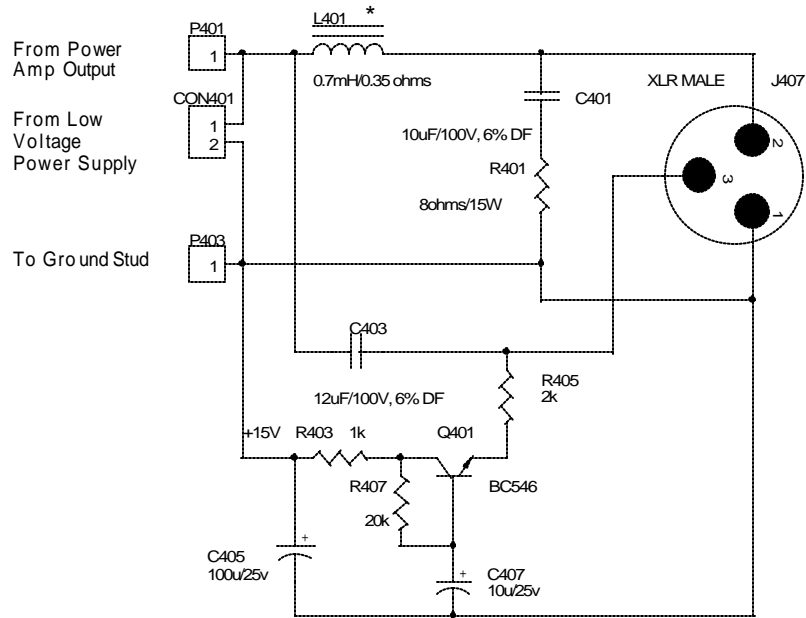
To Low Voltage Power Supply



NHT Pro

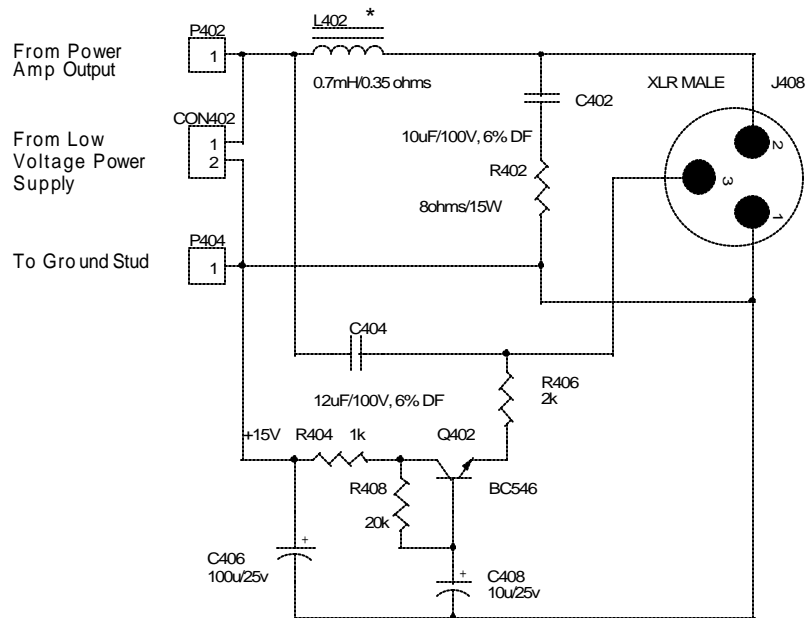
Title		
A10 Power Supply		
Size	Document Number	Rev C
Date	Tuesday, October 02, 2001	Sheet 1 of 1

Left Crossover in Amplifier



* THESE VALUES ARE TO BE MEASURED WITH THE INDUCTORS MOUNTED IN THE AMPLIFIER. THIS MAY CAUSE BOTH PART VALUES TO BE DIFFERENT FROM EACH OTHER, WHEN MEASURED OUTSIDE THE AMPLIFIER.

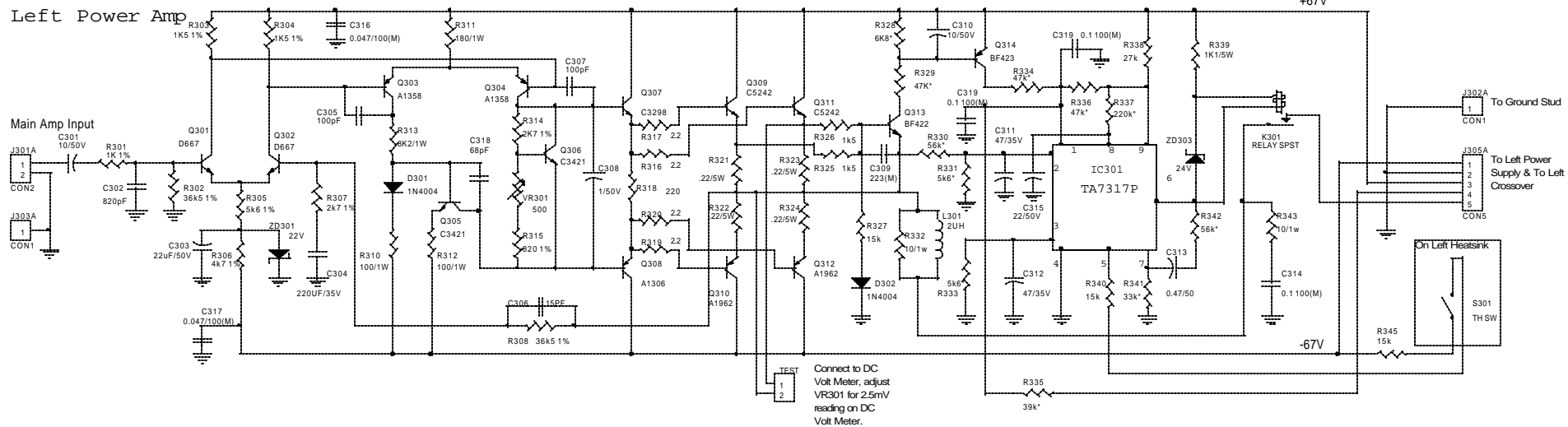
Right Crossover in Amplifier



NHT Pro		
Title A10 Passive Crossover		
Size	Document Number	Rev C
Date:	Tuesday, October 02, 2001	Sheet 1 of 1

Left Power Amp

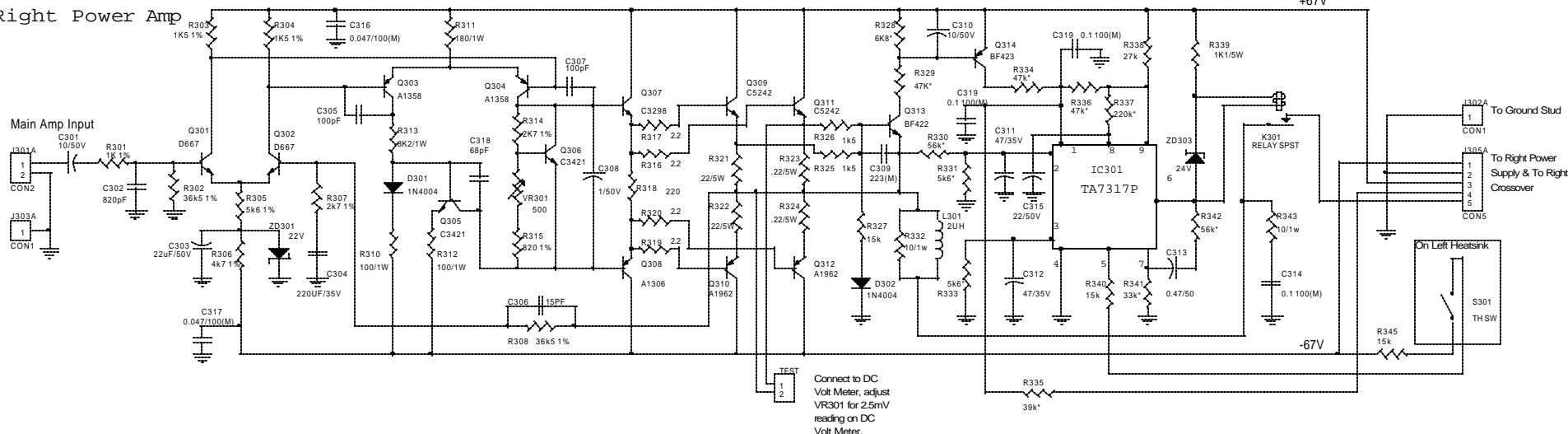
Main Amp Input



Connect to DC Volt Meter, adjust VR301 for 2.5mV reading on DC Volt Meter.

Right Power Amp

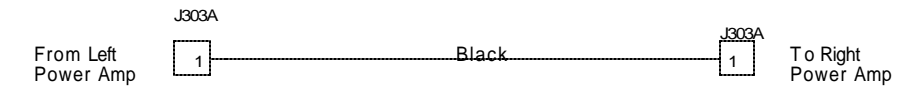
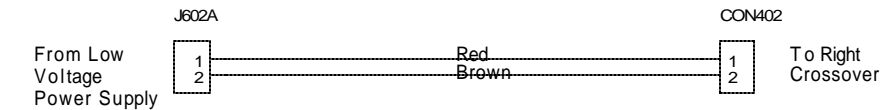
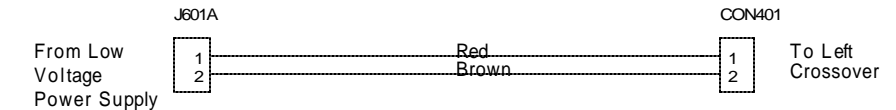
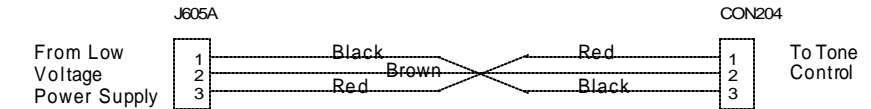
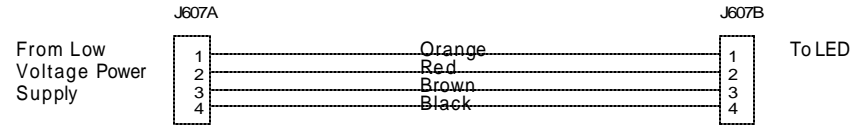
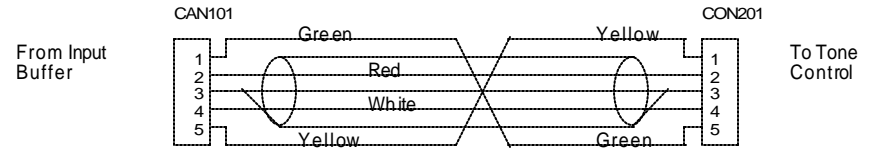
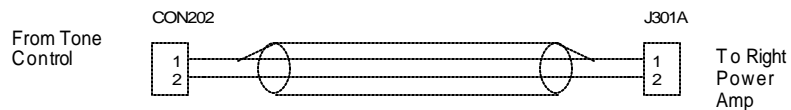
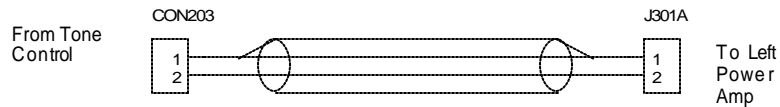
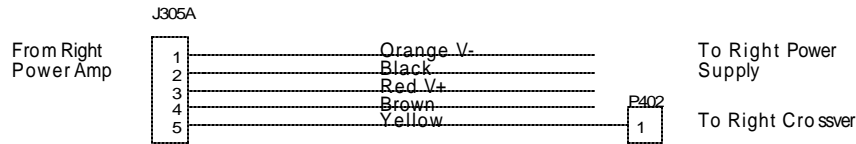
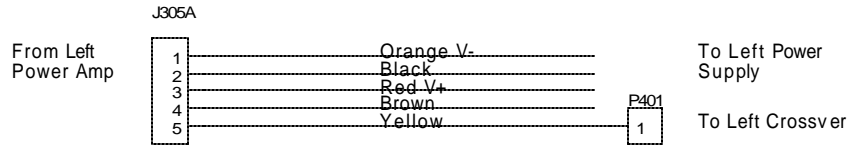
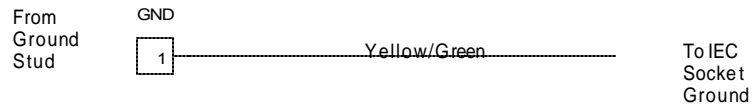
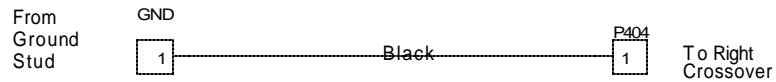
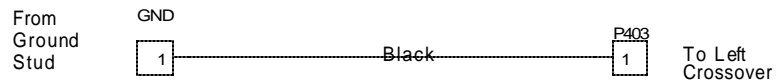
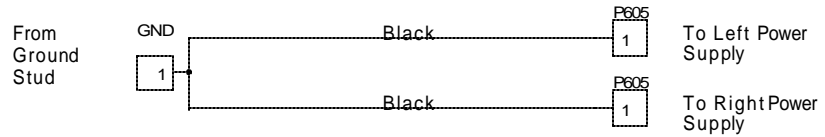
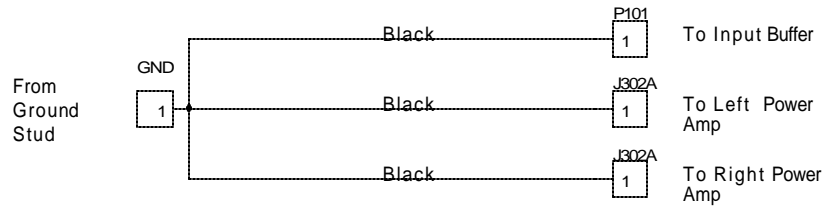
Main Amp Input



Connect to DC Volt Meter, adjust VR301 for 2.5mV reading on DC Volt Meter.

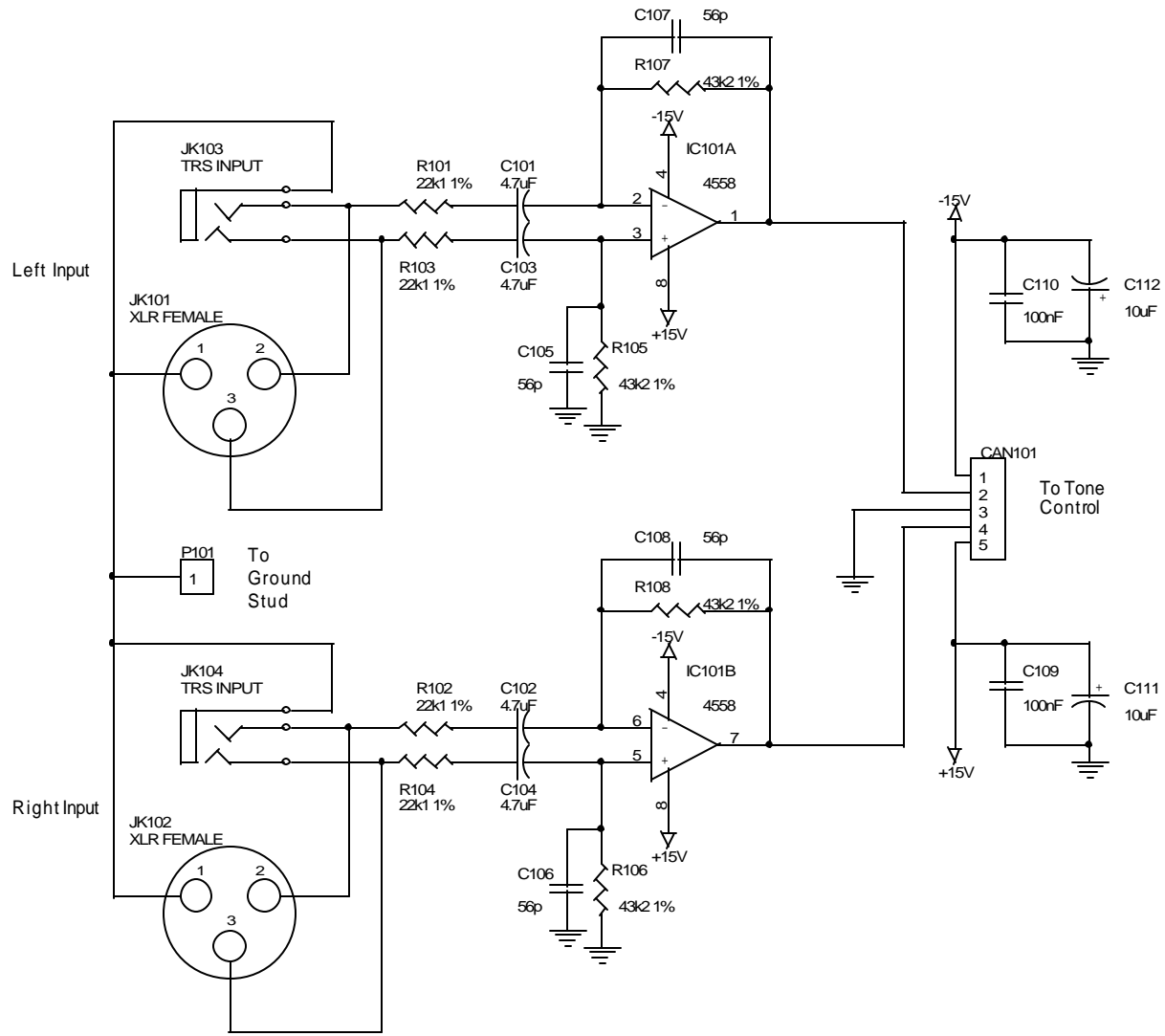
NHT Pro		
Title	A10 Power Amplifier	
Size	Document Number	Rev C
Date	Tuesday, October 02, 2001	Sheet 1 of 1

A-10 Cables



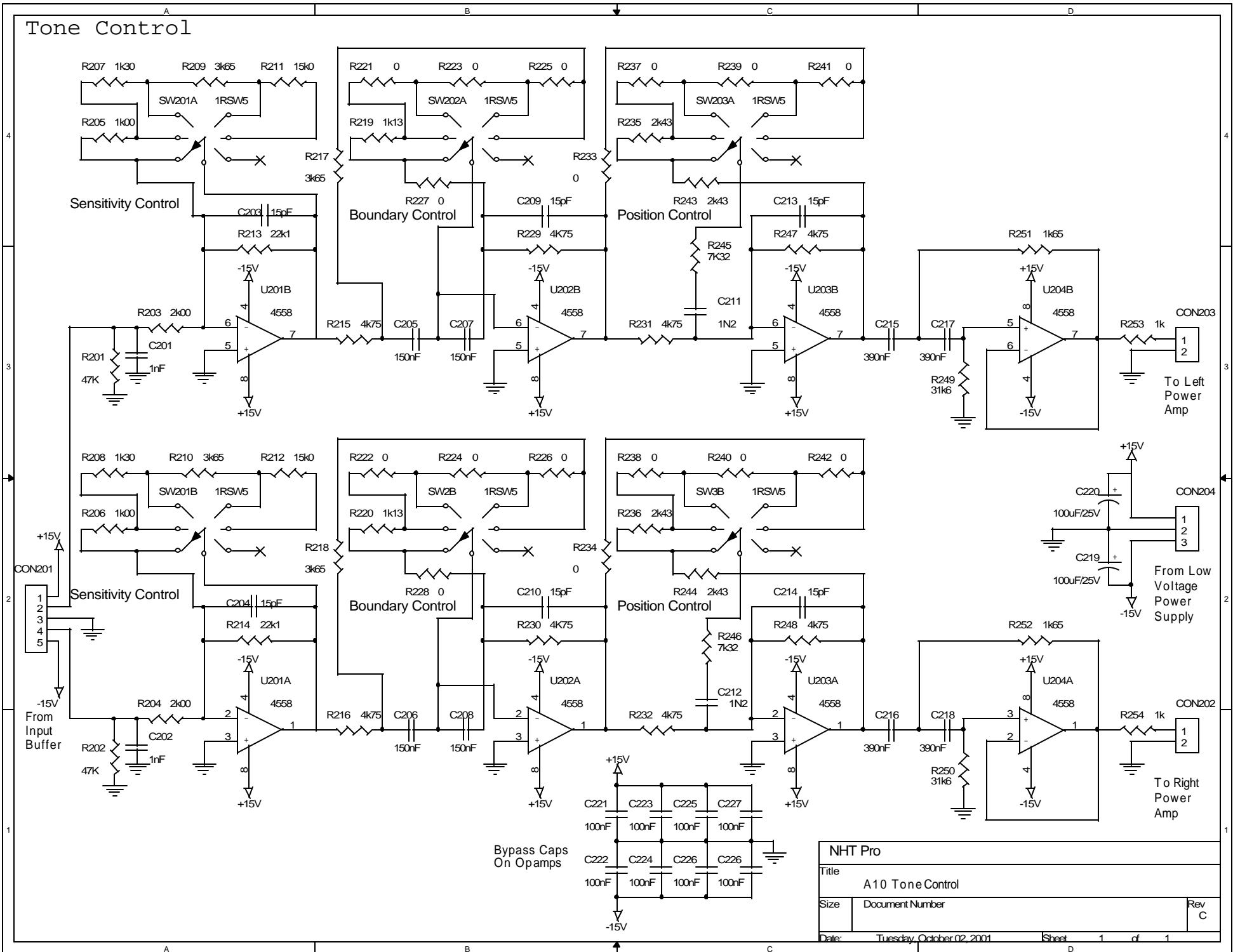
NHT Pro		
Title A10 Cables		
Size	Document Number	Rev C
Date:	Tuesday, October 02, 2001	Sheet 1 of 1

Input Buffer

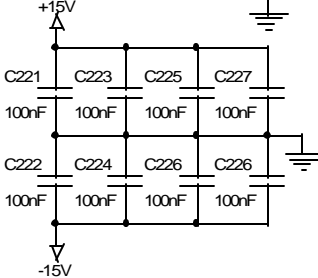


NHT Pro		
Title		
A10 Input Buffer		
Size	Document Number	Rev C
Date:	Tuesday, October 02, 2001	Sheet 1 of 1

Tone Control

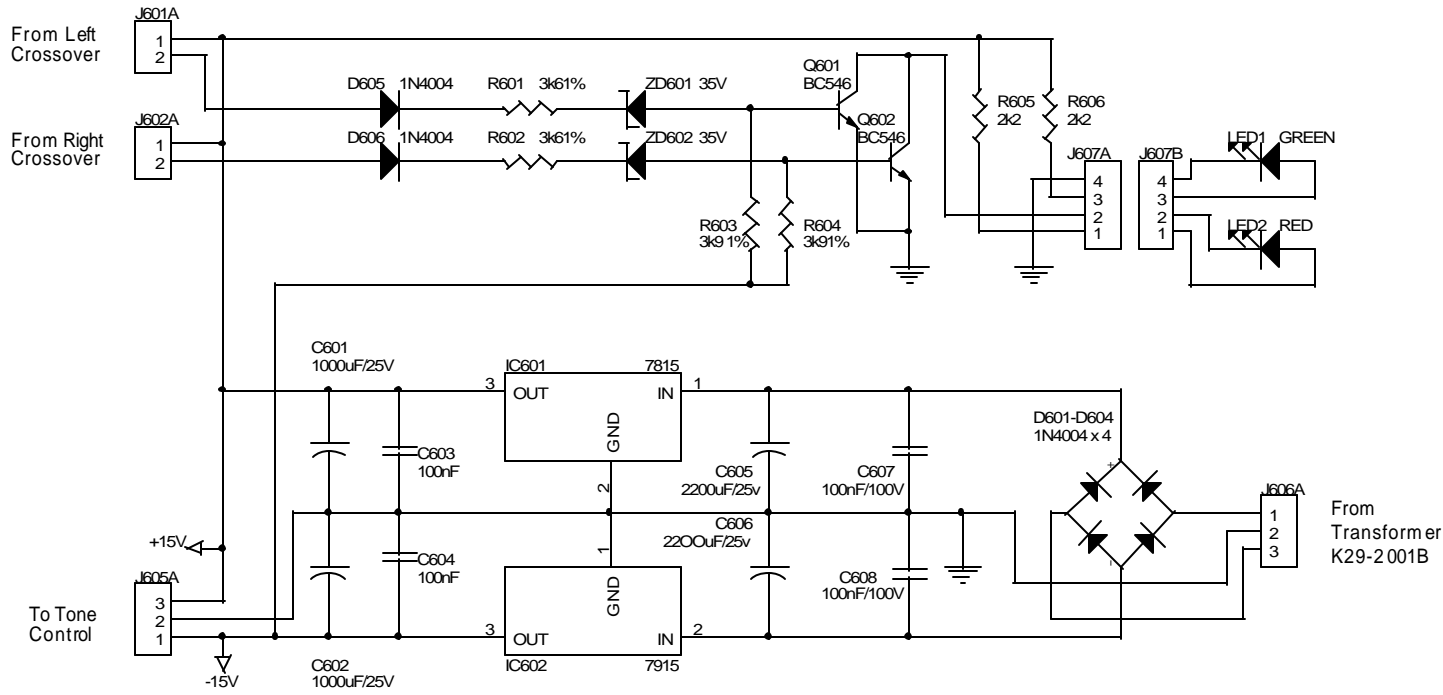


Bypass Caps
On Opamps



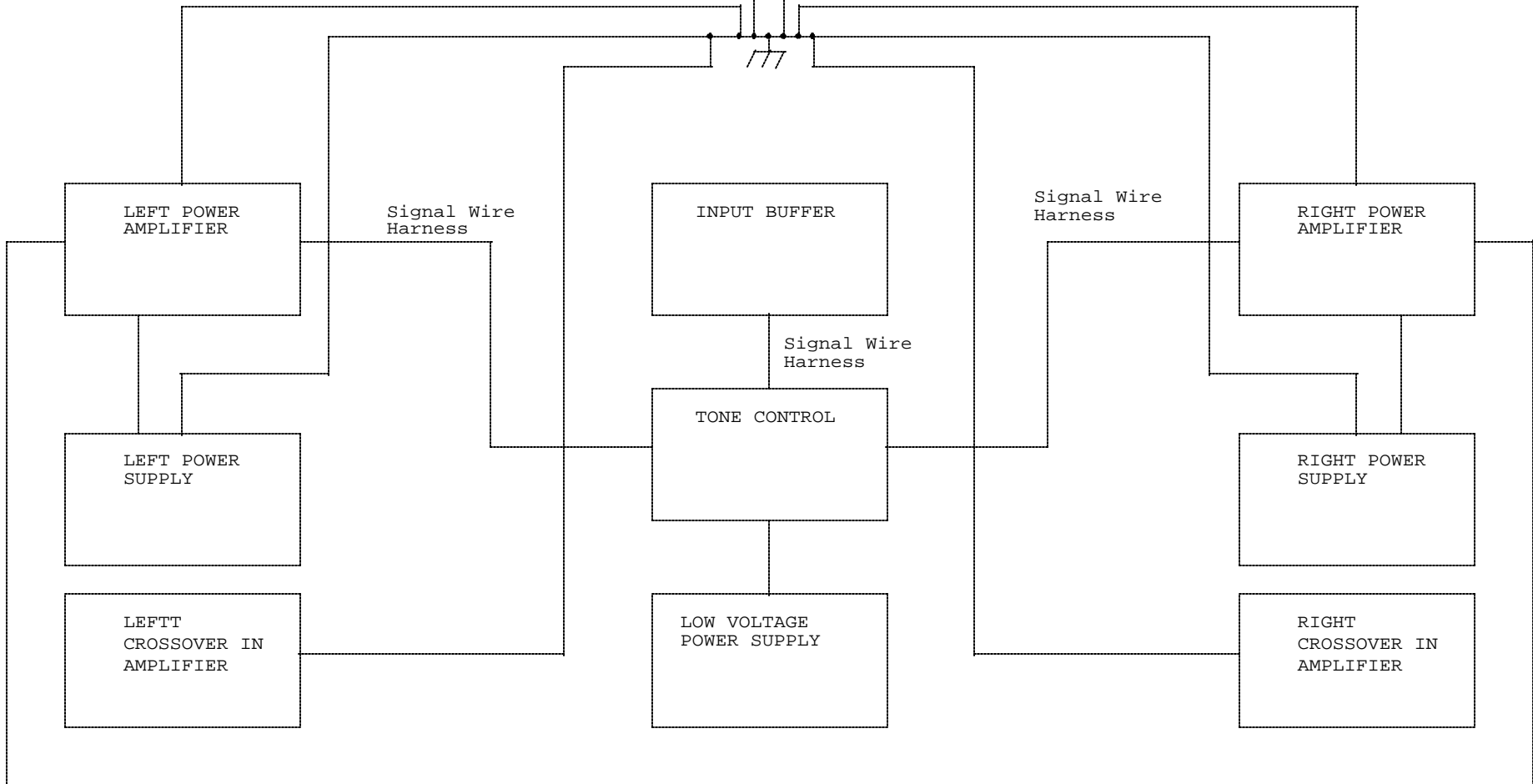
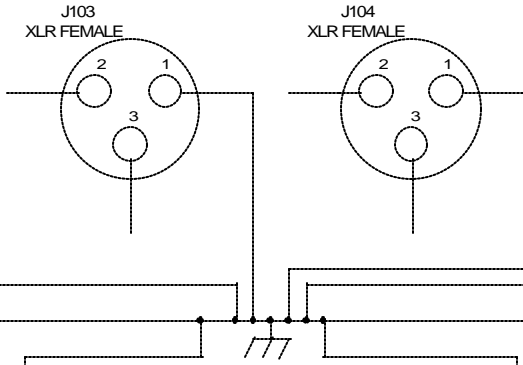
NHT Pro		
Title A10 Tone Control		
Size	Document Number	Rev C
Date	Tuesday, October 02, 2001	Sheet 1 of 1

Low Voltage Power Supply



NHT Pro		
Title		
A10 Low Voltage Power Supply		
Size	Document Number	Rev C
Date: Tuesday, October 02, 2001		Sheet 1 of 1

Grounding Connections



NHT Pro		
Title		
A10 Grounding Diagram		
Size	Document Number	Rev
		C
Date:	Tuesday, October 02, 2001	Sheet 1 of 1