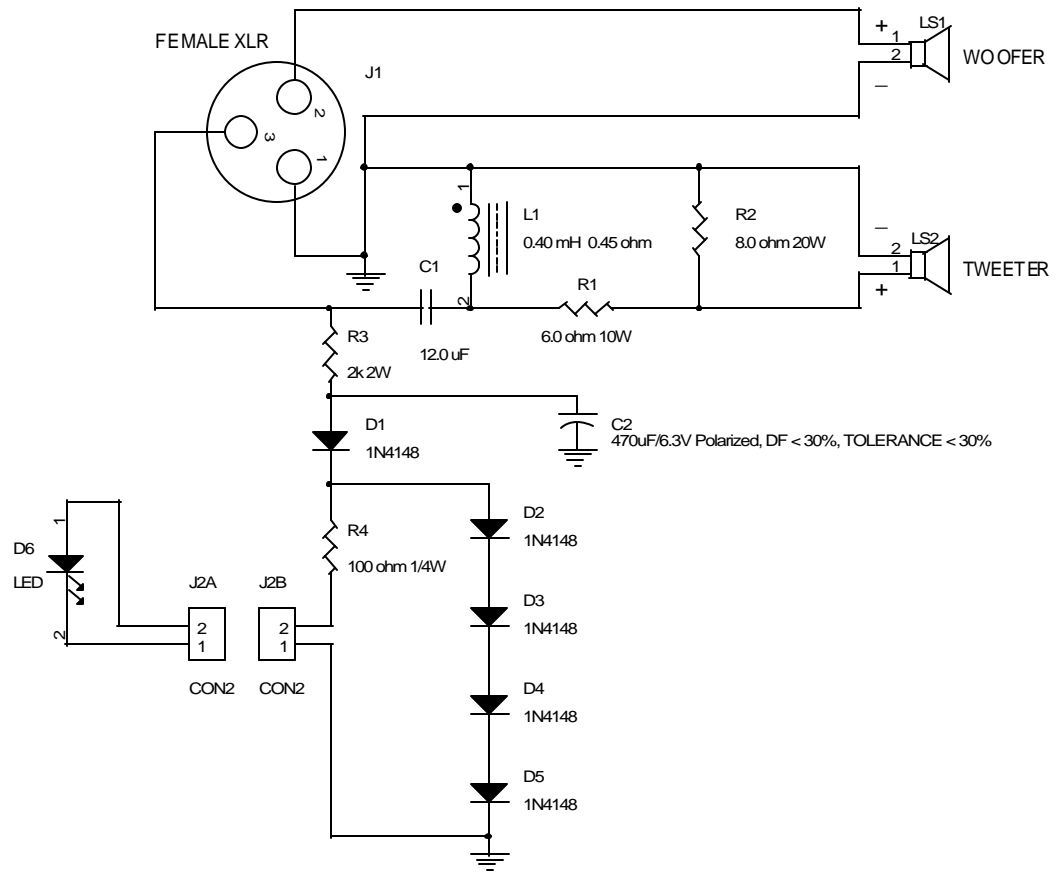


# Crossover In Monitor



- NOTES:  
 ALL TOLERANCES 10% UNLESS NOTED.
- ALL CAPACITORS 100V 6%DF 10% TOLERANCE  
 NON POLAR ELECTROLYTIC UNLESS OTHERWISE NOTED.
- WOOFER LEADS 18AWG TWIN LEAD (+ RED, - BLACK)  
 14" LONG WITH .205" CONNECTOR ON POSITIVE  
 AND .110" CONNECTOR ON NEGATIVE.
- TWEETER LEADS 18AWG TWIN LEAD (+ BLUE, - BLACK)  
 16" LONG WITH .110" CONNECTORS ON POSITIVE AND NEGATIVE.
- CROSSOVER BOARD MOUNTED TO CROSSOVER CUP.  
 FEMALE XLR TO BE NEUTRIK NC3FD-V.
- C1, L1, R1 AND R2 TO BE GLUED TO PC BOARD WITH HIGH  
 TEMPERATURE STABLE GLUE.
- L1 TO BE LAMINATE CORE AND TO BE ZIP TIED TO PC BOARD.
- LED TO BE GREEN T-1 IN LED-SOCKET WITH 14" LONG LEADS  
 PACKAGED SEPERATELY.
- J2 TO BE POLARIZED LOCKING CONNECTOR.

NHT Pro		
Title A-20 CROSSOVER PART NO. N-XVR-002-2		
Size	Document Number	Rev E
Date: Tuesday, October 02, 2001	Sheet	1 of 1