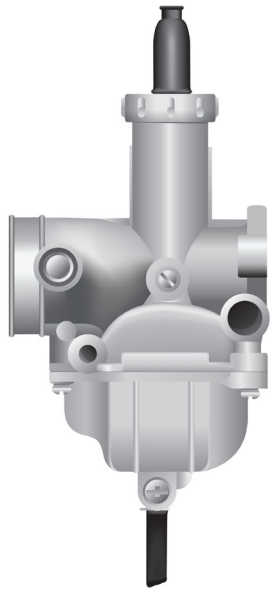
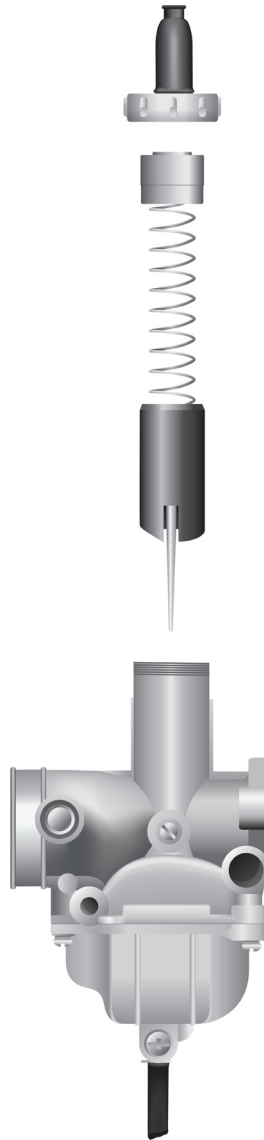




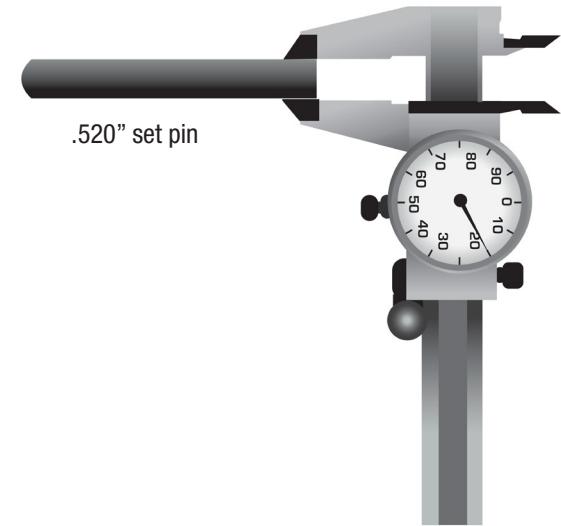
SCCA SOLO FORMULA JUNIOR B WORLD FORMULA SLIDE RESTRICTOR GUIDE



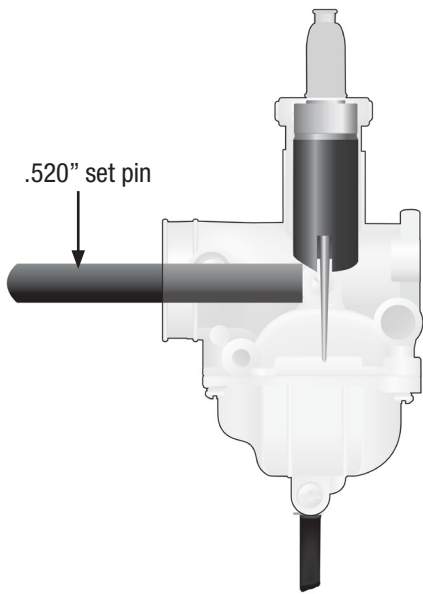
1. Stock World Formula carburetor



2. Assembly view

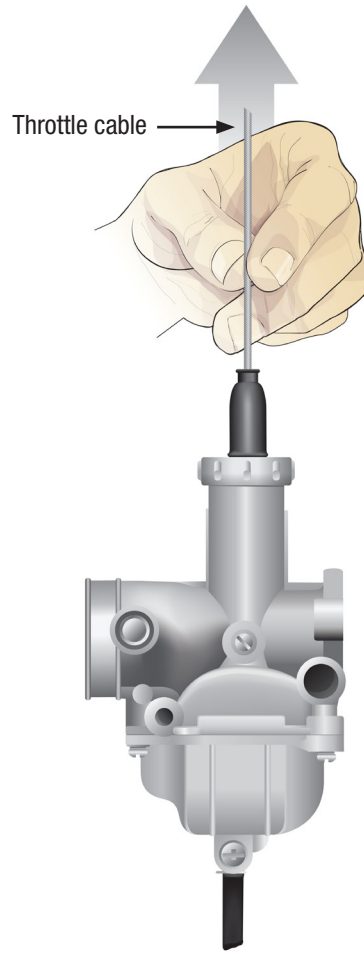


3. Verify the set pin.



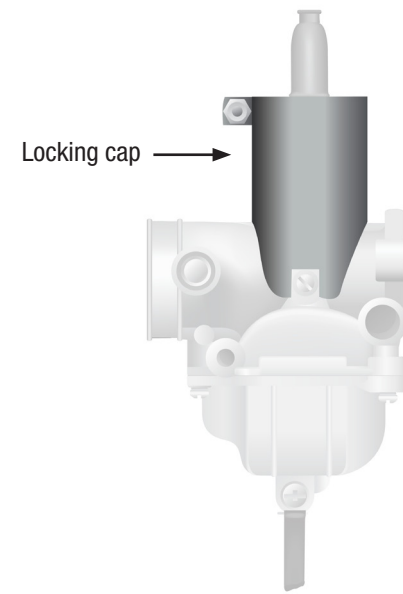
- 4.** Set by screwing down cap until the front 'lip' of the slide is snug to the set pin.

Remove pin by lifting up on the throttle cable.



- 5.** Pull up on the throttle cable, recheck with the set pin.

It is **ALWAYS** necessary to check the carburetor slide for free movement through the full range of travel any time the carburetor has been removed, installed, or adjusted and before starting the engine. Remove air filter and visually confirm the slide valve is fully closed as the throttle is released. Work the throttle control from closed to fully open and watch for any sticking or hang-up. Always install the correct return spring for the carburetor and use an additional return spring on the throttle pedal as needed.



- 6.** Install locking cap, tighten and recheck.